

SR1A

Industrial • Voltage Divider Output

Precision Potentiometric (Voltage Divider) Output

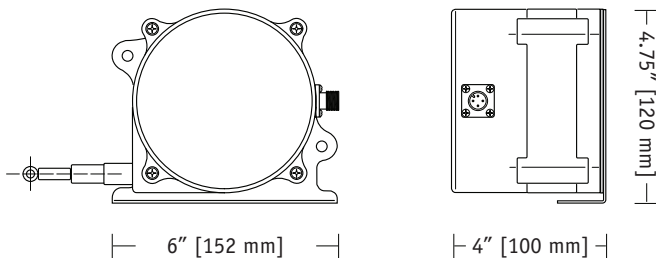
0–62, 0–125 and 0–175 inch Range Options

Designed for Outdoor & IP67 environments

In Stock for Quick Delivery!



175-inch model shown



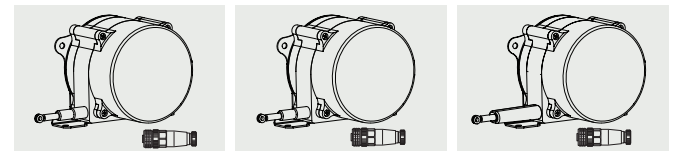
SPECIFICATIONS

Measurement Range, SR1A-62	0–62 in. (0–1575 mm)
Measurement Range, SR1A-125	0–125 in. (0–3175 mm)
Measurement Range, SR1A-175	0–175 in. (0–4445 mm)
Accuracy	± 0.5% FS.
Sensor	plastic-hybrid precision potentiometer
Input Resistance	10K ohms
Maximum Input Voltage	30 volts AC/DC
Resolution	essentially infinite
Repeatability	± 0.1% FS.
Measuring Cable	.034-inch dia. nylon-coated stainless
Maximum Velocity	80 inches (2 meters) per second
Maximum Acceleration	10 g (retraction)
Measuring Cable Tension	23 oz. (6.4 N) ±30%
Cycle Life	250,000 (potentiometer)
Enclosure	polycarbonate
Electrical Connection	M12 Connector (mating plug included)
Environmental Suitability	NEMA 6, IP67
Operating Temperature	-40° to 185° F (-40° to 85° C)
Weight	2.5 lbs. (1.3 Kg)

SR1A is a rugged, low-cost, high performance string pot built for wet environments and outdoor applications. Originally designed for off-road construction equipment, the SR1A is the perfect low-cost solution for OEM and stocking distributors.

Available in 62-inch, 125-inch and 175-inch stroke ranges, the SR1A is constructed of a rugged polycarbonate enclosure designed to withstand impact from harsh environments and rugged conditions. Each sensor ships with a handy mounting bracket to make just about any installation very simple. Every SR1A ships with a field installable mating connector and optional cordsets are available.

ORDERING INFORMATION



Order No.
SR1A-62

62-inch stroke range,
voltage divider output,
4-pin M12 mating plug &
mounting bracket included.

Order No.
SR1A-125

125-inch stroke range,
voltage divider output,
4-pin M12 mating plug &
mounting bracket included.

Order No.
SR1A-175

175-inch stroke range,
voltage divider output,
4-pin M12 mating plug &
mounting bracket included.

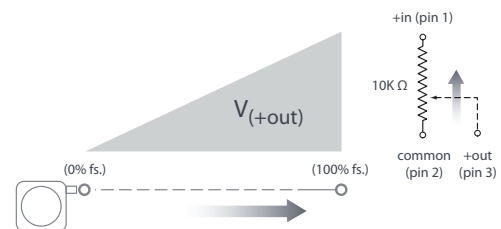
Part No.
9036810-0040



4-pin M12 x 13 ft (4 m)
22 AWG (.34mm²)

OPTIONAL CORDSET
for short-run connections, a convenient
optional 13-ft. cordset with a 4-pin M12
connector is available.

Output Signal:



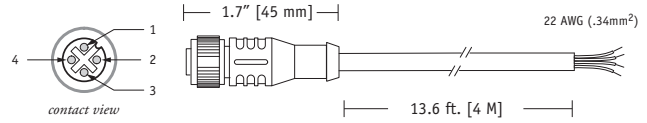
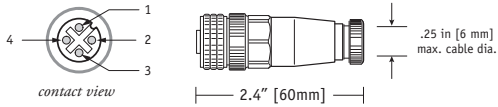
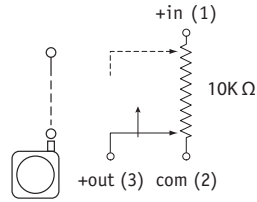
20630 Plummer Street • Chatsworth, CA 91311
tel: 800.423.5483 • +1.818.701.2750 • fax: +1.818.701.2799



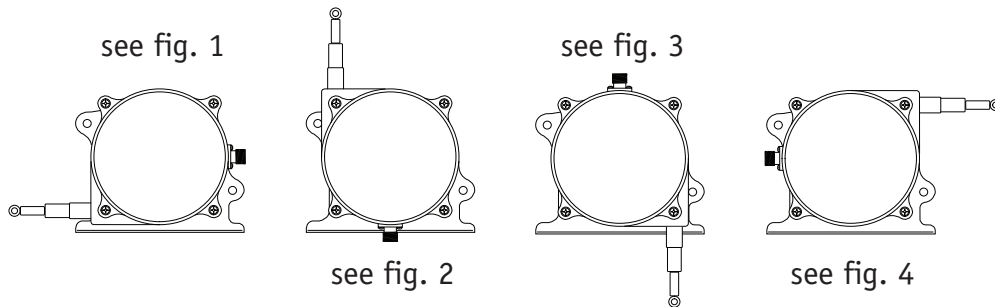
celesco
www.sensorway.cn • sales@sensorway.cn

Electrical Connection

output signal	connector pin	colorcode (cordset)
+in	1	brown
common	2	white
+out	3	blue
n/c	4	black



Cable Exit Direction Options



Changing the Cable Exit

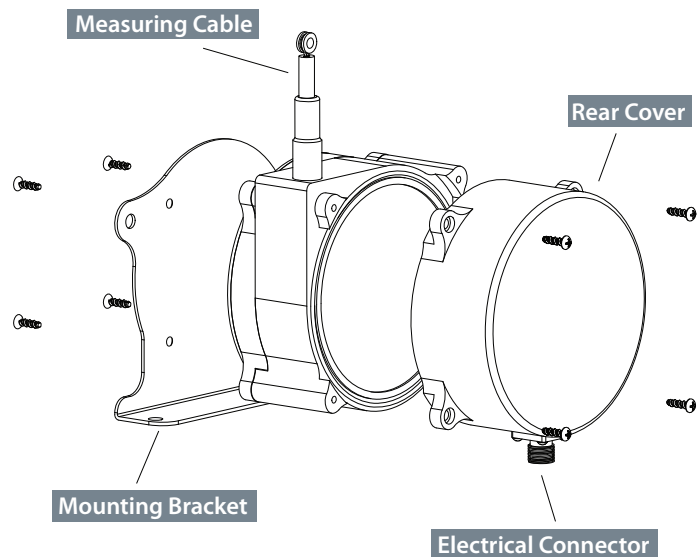
Changing Measuring Cable Exit

To change the direction of the measuring cable, remove the 4 mounting bracket screws and rotate bracket to one of four available positions. See figures 1 - 4 on the following pages for mounting dimensions.

Changing Electrical Connector Direction

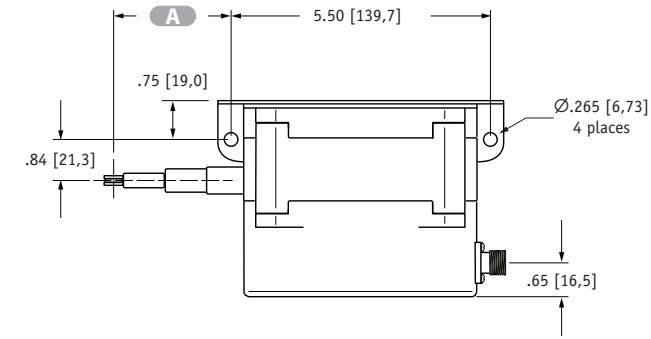
To change the position of the electrical connector, remove the 4 rear cover screws and carefully separate rear cover from the sensor body.

Rotate the rear cover to desired position being careful to not tangle the wiring harness that runs to the connector.



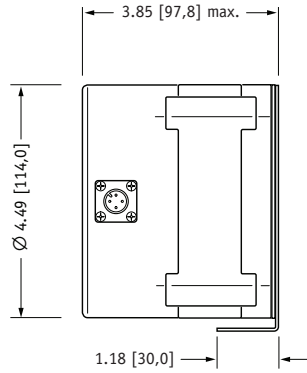
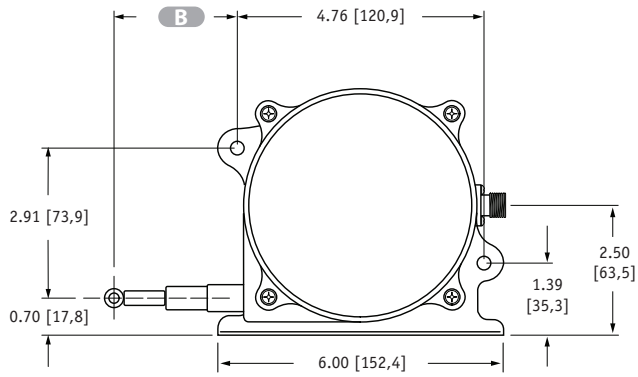
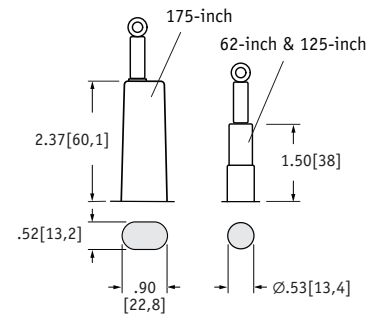
北京赛斯维测控技术有限公司
北京市朝阳区望京西路48号
金隅国际C座1002
电话：+ 86 010 8477 5646
传真：+ 86 010 5894 9029
邮箱：sales@sensorway.cn
<http://www.sensorway.cn>

Fig. 1 - Outline Drawing (as shipped)

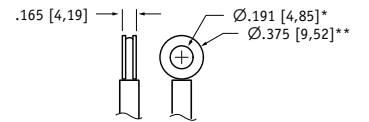


Model	A	B
62-inch	2.00 ±.13 [50,8 ±3,3]	2.37 ±.13 [60,22 ±3,3]
125-inch		
175-inch	2.87 ±.13 [72,8 ±3,2]	3.24 ±.13 [82,2 ±3,2]

Cable Guide Detail



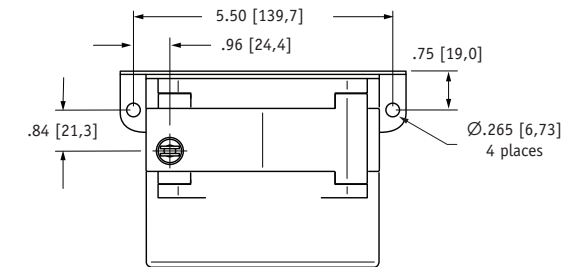
Eyelet Detail



units are in inches [mm] tolerances are ± .04 [1,0] unless otherwise noted

* tolerance = +.005 - .001 [+.13 -.03]
** tolerance = +.005 - .005 [+.13 -.13]

Fig. 2 - "Up" Cable Exit Direction



Model	A
62-inch	3.64 ±.13 [92,5 ±3,3]
125-inch	
175-inch	4.54 ±.13 [115,3 ±3,3]

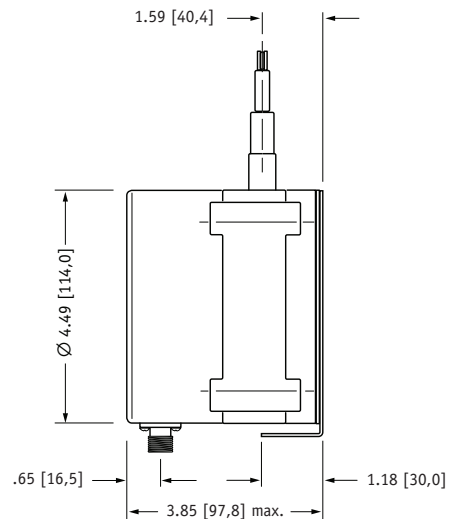
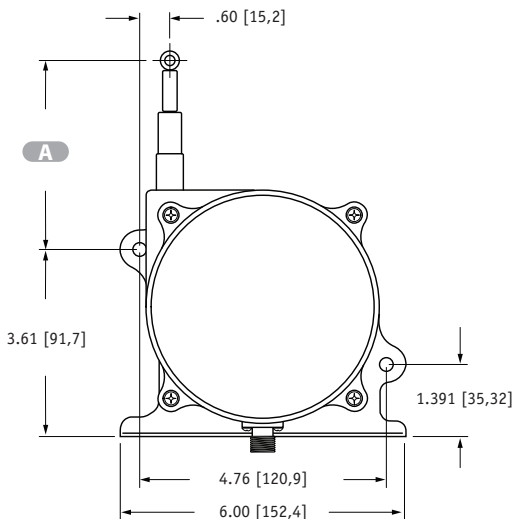


Fig. 3 - "Down" Cable Exit Direction

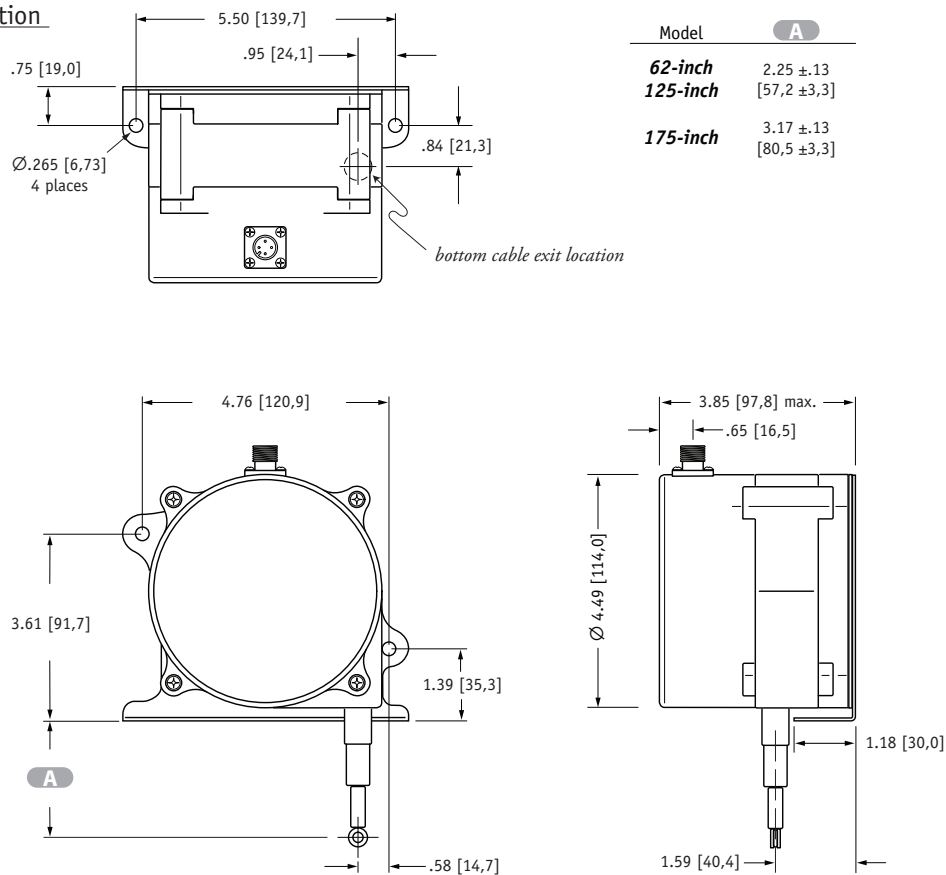
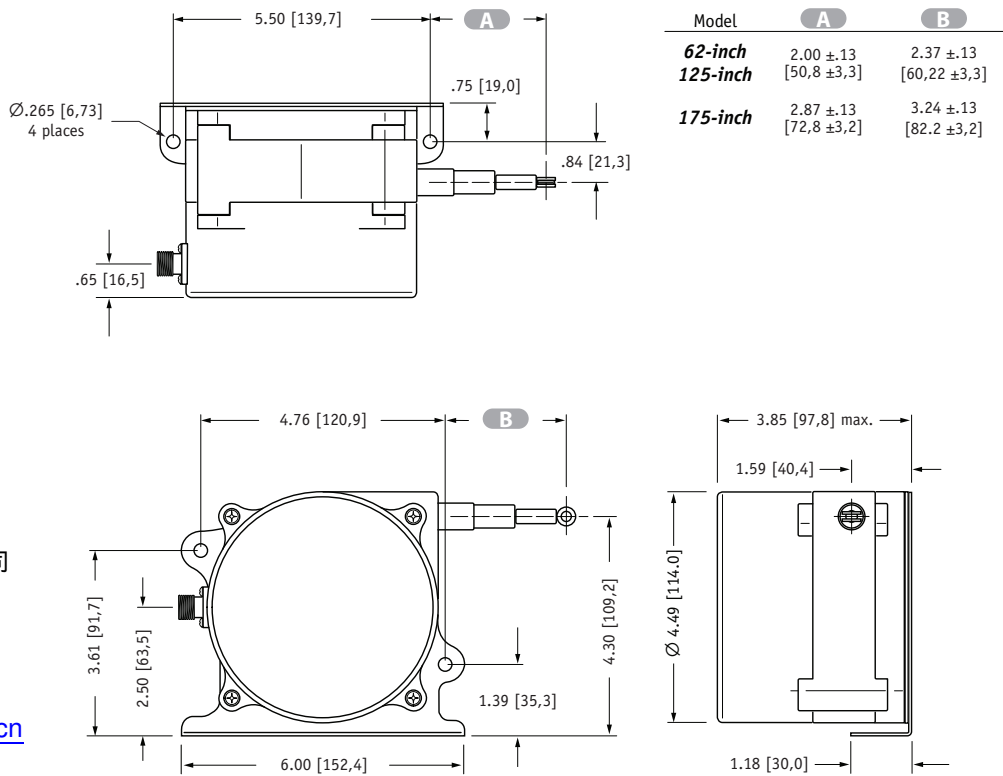


Fig. 4 - "Rear" Cable Exit Direction



北京赛斯维测控技术有限公司
 北京市朝阳区望京西路48号
 金隅国际C座1002
 电话：+86 010 8477 5646
 传真：+86 010 5894 9029
 邮箱：sales@sensorway.cn
<http://www.sensorway.cn>

units are in inches [mm] tolerances are ± .04 [1,0] unless otherwise noted
 tel: 800.423.5483 • +1.818.701.2750 • fax: +1.818.701.2799
 now part of Measurement Specialties, Inc.

version: 3.0 last updated: March 4, 2013