

# Model 4807A Accelerometer



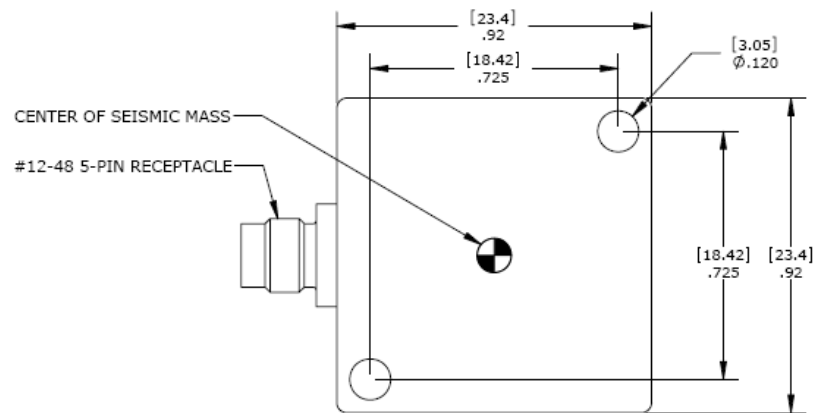
Ultra Low Noise, DC Response  
Micro-g Resolution  
Includes Auto-Zero Function  
Hermetically Sealed  
<2% Total Error Band



**The Model 4807A** is an ultra low noise DC response accelerometer offering micro-g resolution – an order of magnitude better than the competition.

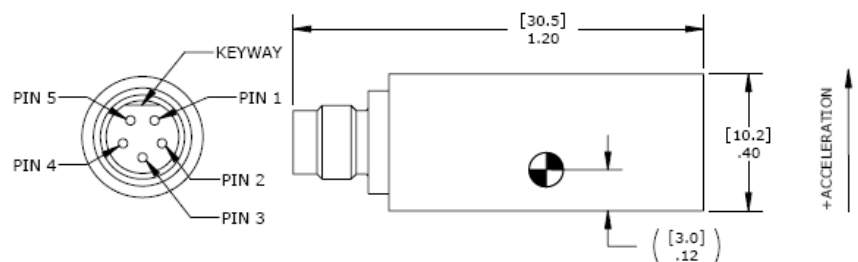
The accelerometer is hermetically sealed and offers an amplified signal output covering ranges from  $\pm 2$  to  $\pm 200g$ . The model 4807A incorporates gas damped silicon MEMS sensing elements with wide bandwidth from DC up to 1500Hz, and built-in mechanical overload stops for shock protection to 5,000g. A patent pending Auto-Zero function allows the use to minimize zero offset at the output.

## dimensions



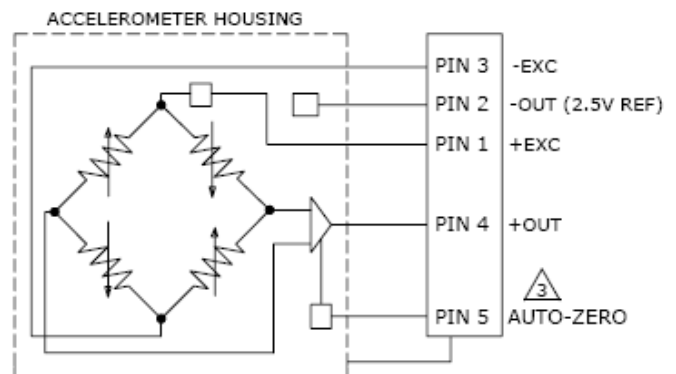
## FEATURES

- 98dB Dynamic Range
- $\pm 2g$  to  $\pm 200g$  Measurement Range
- 8-18Vdc Excitation Voltage
- Hermetically Sealed
- Gas Damped MEMS Element
- Detachable Cable
- Remote Auto-Zero Function



## APPLICATIONS

- Vibration Isolation
- Flight Testing
- Trajectory Profiling
- Structural Monitoring
- Research & Development



# Model 4807A Accelerometer

## performance specifications

All values are typical at +24°C, 100Hz and 12Vdc excitation unless otherwise stated. Measurement Specialties reserves the right to update and change these specifications without notice. Standard product parameters are described in PSC-1004 for Plug & Play DC Accelerometers.

### Parameters

#### DYNAMIC

	±2	±5	±10	±20	±50	±100	±200	Notes
Range (g)								
Sensitivity (mV/g)	1000	400	200	100	40	20	10	±2%
Frequency Response (Hz)	0-200	0-300	0-350	0-600	0-800	0-1300	0-1500	±5%
Natural Frequency (Hz)	700	800	1000	1500	4000	6000	8000	
Non-Linearity (%FSO)	±1.0	±1.0	±1.0	±1.0	±1.0	±1.0	±1.0	
Transverse Sensitivity (%)	<3	<3	<3	<3	<3	<3	<3	<1 Typical
Damping Ratio	0.7	0.7	0.7	0.7	0.6	0.5	0.4	
Shock Limit (g)	5000	5000	5000	5000	5000	5000	5000	
Residual Noise (µV RMS)	25	20	23	31	26	32	32	Passband
Residual Noise (µg/√Hz RMS)	2	3	6	12	21	41	82	Spectral

#### ELECTRICAL

Zero Acceleration Output (mV)	±25 (±1.5 after auto-zero actuation)	Differential
Excitation Voltage (Vdc)	8 to 18	
Excitation Current (mA)	15	
Bias Voltage (Vdc)	2.5	
Full Scale Output Voltage (Vpk)	±2	
Output Impedance (Ω)	<100	
Insulation Resistance (MΩ)	>100	@50Vdc
Turn On Time (sec)	<2	
Ground Isolation	Isolated from Mounting Surface	

#### ENVIRONMENTAL

Thermal Zero Shift (%FSO/°C)	±0.010	Typical
Thermal Sensitivity Shift (%/°C)	±0.014	Typical
Operating Temperature (°C)	-54 to 121	
Compensated Temperature (°C)	-40 to 121	
Humidity	Hermetically Sealed, IP67	

#### PHYSICAL

Case Material	Stainless Steel
Weight (grams)	20
Mounting	2x #4 or M3 Screws
Mounting Torque	6 lb-in (0.7 N-m)

<b>Calibration supplied:</b>	CS-FREQ-0100	NIST Traceable Amplitude Calibration from 20Hz to ±5% Frequency Response Limit
<b>Supplied accessories:</b>	AC-A02285	2x #4-40 (7/16 length) Socket Head Cap Screw and Washer
<b>Optional accessories:</b>	AC-D02652	Triaxial Mounting Block
	340A-XXX	Cable Assembly, 4x #28 AWG, (XXX designates length in inches, 5ft standard)
	341A-XXX	Cable Assembly, 5x #30 AWG, for Auto-Zero Option (XXX designates length in inches, 5ft standard)
	101	Three Channel DC Signal Conditioner Amplifier

The information in this sheet has been carefully reviewed and is believed to be accurate; however, no responsibility is assumed for inaccuracies. Furthermore, this information does not convey to the purchaser of such devices any license under the patent rights to the manufacturer. Measurement Specialties, Inc. reserves the right to make changes without further notice to any product herein. Measurement Specialties, Inc. makes no warranty, representation or guarantee regarding the suitability of its product for any particular purpose, nor does Measurement Specialties, Inc. assume any liability arising out of the application or use of any product or circuit and specifically disclaims any and all liability, including without limitation consequential or incidental damages. Typical parameters can and do vary in different applications. All operating parameters must be validated for each customer application by customer's technical experts. Measurement Specialties, Inc. does not convey any license under its patent rights nor the rights of others.

## ordering info

PART NUMBERING Model Number+Range

4807A-GGG  
 | \_\_\_\_\_ Range (010 is 10g)

Example: 4807A-010  
 Model 4807A, 10g

北京赛斯维测控技术有限公司  
 北京市朝阳区望京西路48号  
 金隅国际C座1002  
 电话 : + 86 010 8477 5646  
 传真 : + 86 010 5894 9029  
 邮箱 : [sales@sensorway.cn](mailto:sales@sensorway.cn)