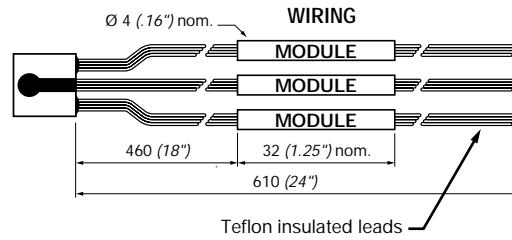
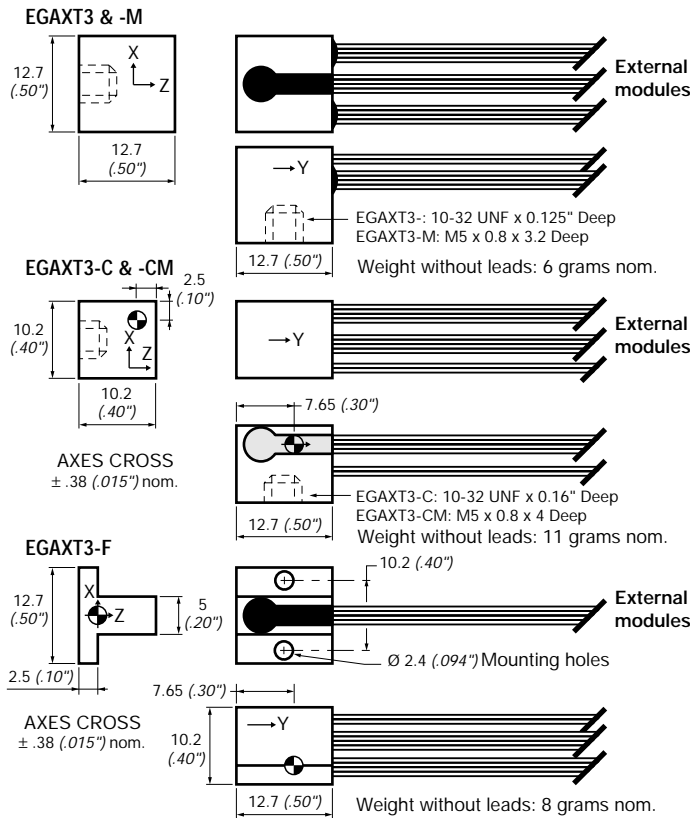


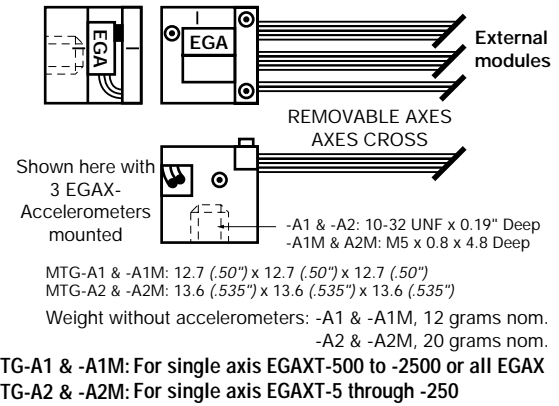
Specifications



TRIAxIAL EGAXT3, EGAXT3-C, EGAXT3-F, EGAXT3-M, MTG-A1 & MTG-A2



TRIAxIAL MOUNTING BLOCK for up to 3 EGAX & EGAXT (Purchase accelerometers separately from mounting block)



Dim: mm (inches)

EGAXT3 Multiaxial Series - Specifications for each individual axis

g RANGES "FS"	g OVERRANGE LIMIT (Note 1)	FREQUENCY RESPONSE ±1/2dB nom./min.	NATURAL FREQUENCY nom.	SENSITIVITY mV/g nom.	OUTPUT "FSO" mV nom.
± 5	± 10000	0 to 250/120 Hz	500 Hz	7.5	± 38
± 10	± 10000	0 to 300/140 Hz	600 Hz	6	± 60
± 15	± 10000	0 to 450/220 Hz	900 Hz	4.5	± 68
± 25	± 10000	0 to 600/300 Hz	1200 Hz	3	± 75
± 50	± 10000	0 to 700/350 Hz	1400 Hz	2.25	± 110
± 100	± 10000	0 to 900/400 Hz	1700 Hz	1.5	± 150
± 250	± 10000	0 to 1000/500 Hz	2000 Hz	0.75	± 190
± 500	± 10000	0 to 1500/750 Hz	3000 Hz	0.5	± 250
± 1000	± 10000	0 to 2000/1000 Hz	4000 Hz	0.25	± 250
± 2500	± 10000	0 to 3000/1400 Hz	6000 Hz	0.1	± 250

Notes: 'Overrange for all 3 axes.

EXCITATION:	15VDC
IMPEDANCE IN:	1000 Ω nom. typ.
IMPEDANCE OUT:	450 Ω nom.
NON-LINEARITY:	± 1%
TRANSVERSE SENSITIVITY:	3% max.
DAMPING RATIO AT 20°C (70°F):	0.7 nom. (0.3 to 1)
OVERRANGE STOPS:	Built-in
THERMAL ZERO SHIFT:	±2.5mV/50°C (±2.5mV/100°F)
THERMAL SENSITIVITY SHIFT (TSS):	+1% to -4%/50°C (+1% to -4%/100°F)
OPERATING TEMPERATURE:	-40°C to 120°C (-40°F to 250°F)
COMPENSATED TEMPERATURE:	20°C to 80°C (70°F to 170°F)
ZERO OFFSET AT 20°C (70°F):	± 15mV typ.

Entran®



TITLE
EGAXT3 ACCELEROMETERS
 Triaxial Miniature
 10,000g Overrange Stops

Entran Devices, Inc.
 FAIRFIELD, NJ, USA

SPECIFICATION NUMBER	ISSUE	PAGE
EGAXT3S1U	P01	1 of 2

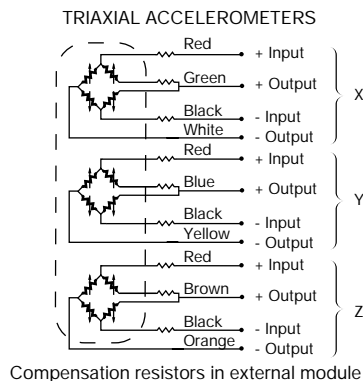
Options and Accessories (for all individual axes):

COMPENSATED TEMPERATURE RANGES:	STANDARD	= 20°C to 80°C (70°F to 170°F)
	Z1	= -20°C to 40°C (0°F to 100°F)
	Z2	= 0°C to 60°C (32°F to 140°F)
	Z4	= 40°C to 90°C (100°F to 200°F)
	Z*	= Non-standard, contact Entran
5 WIRE BRIDGE WIRING FOR ADJUSTABLE ZERO OFFSET:	5	= 5 Wire
EXCITATION VOLTAGE:	STANDARD	= 15VDC
	V00	= Replace "00" with Excitation between 1 and 15. If less than 15, Sensitivity (FSO) will decrease accordingly.
	V*	= Non-standard Excitation with standard FSO and non-standard TSS, contact Entran.
SPECIAL LEAD LENGTH:	L00F	= Replace "00" with total length in feet.
	L00M	= Replace "00" with total length in meters.
SPECIAL MODULE LOCATION:	M00F	= Replace "00" with distance between sensor and module in feet.
	M00M	= Replace "00" with distance between sensor and module in meters.
CONNECTOR WIRED TO LEADS:	C	= Microtech type male (w/o mate)
	R	= RJ Telephone type male (w/o mate)
MATING CONNECTORS FOR CONNECTOR OPTIONS:	See Cable and Connector Bulletins	

Model Number construction:

EGAXT3 Series	-F Housings	-	10 Range X Axis	/50 Range Y Axis	/50 Range Z Axis	-	/Z1/L2M/R Options applied to all axes C or R L00F or L00M M00F or M00M V1 thru V15 or V* Z1,Z2,Z4, or Z* 5
EGAXT3	" "		(For all axes if Y and Z are blank)				
<u>Mounting Blocks</u> MTG-A1 & -A1M MTG-A2 & -A2M	-C, -CM -F -M						

Wiring:



北京赛斯维测控技术有限公司
北京市朝阳区望京西路48号
金隅国际C座1002
电话: +86 010 8477 5646
传真: +86 010 5894 9029
邮箱: sales@sensorway.cn
http://www.sensorway.cn

Entran®	EGAXT3 ACCELEROMETERS	SPECIFICATION NUMBER	ISSUE	PAGE
		EGAXT3S1U	P00	2 of 2